

1507 Industrial PC

DS-140413(A)



FEATURES

- AGP graphics with base 4 MB system RAM
 - ♦ Automatically shares up to 32 MB with system RAM
- Intel® Celeron® and Pentium® III options up to 1.26GHz
- Up to 512 MB DRAM
- 10/100 BaseT Ethernet port
- RS-232 port
- RS-232 or RS485 port
- PS/2 keyboard and mouse port
- USB port
- Four available expansion slots:
 - ♦ Three full-length (1 PCI, 1 ISA, and 1 either ISA or PCI)
 - ♦ One ½-length PCI
- DOC 2000 socket
- CD-ROM and Floppy with optional CD-R/W upgrade
- Easily removable 20 GB hard drive
- Secondary IDE Drive options (choice of one):
 - ♦ Easily removable 2.5" dual hard drives
 - ♦ Externally accessible CompactFlash™ options up to 512MB
 - ♦ External Drive bay connector for 9000-XBAY
- UL Listed for hazardous locations: Class I Division 2, Groups A, B, C, D; Class II Division 2, Groups F and G
- Pre-loaded with MS-DOS®, Windows 98®, Windows® NT, Windows® 2000 (with multi-language support for 2000 only), or Windows® XP.

Xycom Automation's newest generation of industrial PCs are designed and tested for the tough environments required for plant floor use. Our standard PC configurations meet the strict specifications required for use in hazardous locations and Europe's CE mark. Based on CPU boards designed specifically for industrial automation, these systems provide the capabilities required by demanding applications. With an installed base of over 200,000 systems, our industrial PC products are successfully applied in manufacturing and process environments world-wide.

Superior Video Performance

The on-board AGP graphics controller defaults to 4 MB system RAM which allows full color resolution up to 1280 x 1024 resolution. In addition, the 1507 will automatically share up to 32 MB system RAM to allow full 32-bit color depth and fast 3D rendering and graphics performance.

Higher Performance

With up to 1.26GHz Pentium III processors available, the 1507 can drive the most demanding applications. The 1507 ships standard with an 850 MHz Celeron with 128K cache running at 100 MHz bus. Optional 1.0 GHz with

- 256K cache and 1.26GHz with 512K cache, both running at 133 MHz bus,
- are available options.

Fits Your Needs

- The 1507 can be configured many different ways. With four available expansion slots – three ¾-length (1 PCI, 1 ISA, and 1 either ISA or PCI), and one ½-length PCI, many cost effective, industry standard options are easily integrated. The optional removable dual hard drive, externally accessible CompactFlash, or external drive bay connector provide the storage solution you require. Additionally the CD-ROM can be upgraded to a read/write drive so that even more storage and/or backup options are

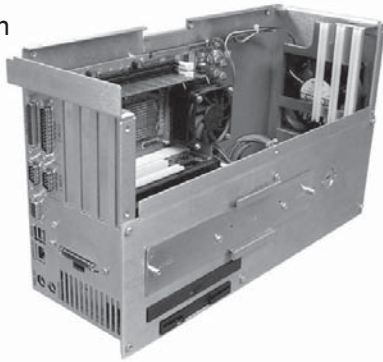
- available. The optional 9000-XBAY allows you to externally mount any two IDE devices without requiring a power supply or unreliable cabling.

Meets High Standards

- To survive on the plant floor, the 1507 meets FCC, UL, cUL, and European CE mark requirements for industrial automation equipment. Xycom Automation leads the industry in reliability, service, and support with an optional five year warranty available.

SERVICEABILITY

With the cover removed expansion cards are easily installed in the 1507 without cumbersome cables to contend with.



MOUNTING OPTIONS



Vertical Mounting



Horizontal Mounting

EASILY REPLACEABLE HARD DRIVE



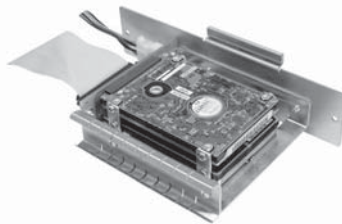
The 1507 has incorporated an easy access hard drive mount. Simply unscrew 2 captive screws and extract the hard drive. Remove the metal bracket and retention spring, attach it to the new hard drive and install your replacement.

SECONDARY DRIVE OPTIONS

The 1507 has several options for the secondary IDE port on the CPU. The hard drive can be replaced with a dual hard drive unit for redundancy. If solid state storage media is desired, then an externally accessible Type I or Type II CompactFlash™ option is available. If a DVD, Tape backup, or other IDE device is required then an external connector for a remote drive bay can be ordered.



External Bay Connector



Dual 2.5" Hard Drives



Externally Accessible CompactFlash™

REMOTE DRIVES



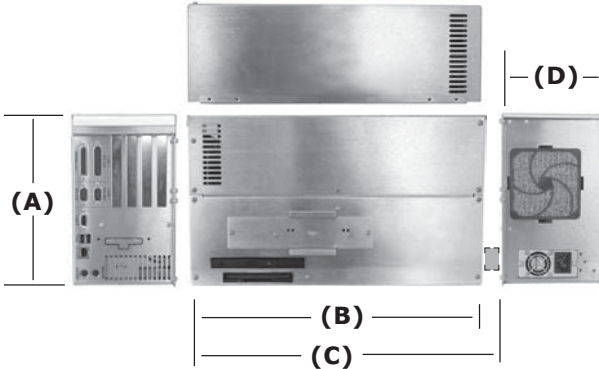
With the external bay connector (shown above) installed, the 9000-XBAY* can be utilized. The 9000-XBAY allows any two IDE devices to be installed and connected to the 1507 via a single cable. This cable carries power and the IDE signals so that one connection is all that is needed (some devices may require an additional power supply* to be utilized). The 9000-XBAY can be mounted on a shelf, behind a panel, or used with a NEMA door (optional).

*9000-XBAY and external power supply are both sold separately.

PRODUCT MOUNTING AND DIMENSIONS

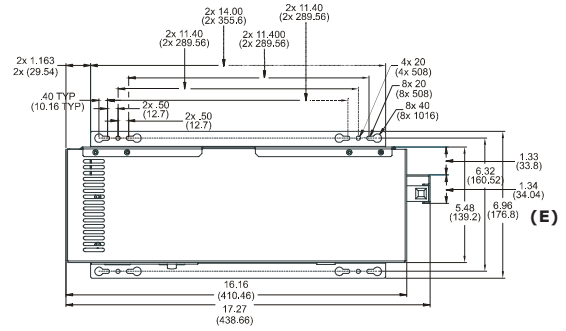
1507 Unit Dimensions

Model	1507
Processors	Intel® Celeron, Pentium® III
Preloaded OS	MS-DOS®, Windows NT®, Windows® 98, 2000, XP
Expansion	One ISA, two PCI, one shared (ISA or PCI)

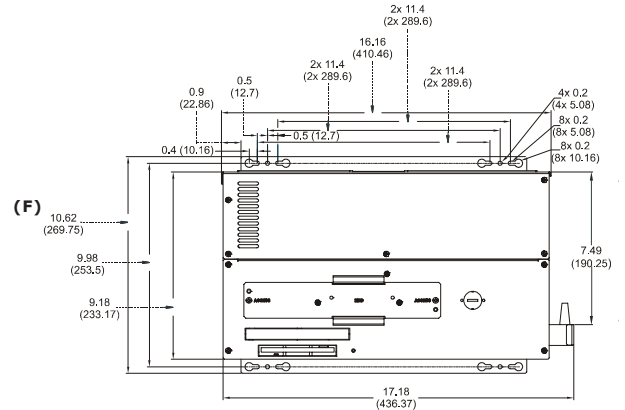


Model	1507
Height (A)	9.18" (233.17 mm)
Width (B)	16.16" (410.46 mm)
Width (C)	17.18" (436.37 mm)
Depth (D)	5.48" (139.2 mm)
Weight	18 lbs (8.2 kg)

Vertical Mounting (E) 6.96" (176.8 mm)



Horizontal Mounting (F) 10.62" (269.75 mm)



PRODUCT SPECIFICATIONS AND RATINGS

Environmental

	Operating	Nonoperating
Thermal	0°C to 50°C	-20°C to 60°C
Humidity	20% to 80% RH, noncondensing	20% to 80% RH, noncondensing
Shock ^a	15g peak acceleration, 11 msec duration	30g peak acceleration, 11 msec duration
Vibration 5-2000 Hz ^a	.006" peak to peak displacement 1.0g maximum acceleration	.015" peak to peak displacement 2.5g maximum acceleration
Altitude ^b	Sea level to 10,000 ft.	Sea level to 40,000 ft.

^aThese values are with solid state hard drives and not rotating media drives.

^bConsistent with internal component specifications.

Electrical

Power Supply	200 Watt AC		
AC Power	100 - 240 V AC, switchable, 50/60 Hz, 5.0 Amp (maximum)		
Available Expansion Power	66 Watts maximum	+5V@12A +12V@4.9A -12V@0.5A -5V@0.2A	+3.3 V = 10 A.

Note: Combined 3.3V & 5.0V power shall not exceed 66 Watts

Compliance

Regulatory Compliance:

CE

- EN 55022: Class A
- EN 61000-6-2
- EN 60950

FCC

- 47 CFR, Part 15, Class A

Safety Agency Approvals:

- UL 60950
- UL 1604

- CSA-C22.2, #950
- CSA-C22.2, #213

Product certification documentation available at:
www.xycom.com/certifications

ORDERING INFORMATION

To create an order number, follow the conventions defined by the example order numbers and product configurations.

Example Order Number

Order Number	Description
1507-850-256-CDF	1507 Industrial "Node" PC, Socket 370 Intel® Celeron® 850 MHz CPU (128K Cache, 100 MHz bus), 256 MB DRAM, 20 GB minimum Hard Drive, Rear Access CD-ROM and Floppy, MS-DOS, On-board 10/100 BaseT Ethernet and USB, three full-length expansion slots (1 PCI, 1 ISA, and 1 ISA or PCI) and one 1/2-length PCI expansion slot.

1507 -

CPU

850	Celeron 850 MHz, 128k Cache, 100 MHz Bus
1000	Pentium III 1.0 GHz, 256k Cache, 133 MHz Bus
1260	Pentium III 1.26 GHz, 512k Cache, 133 MHz Bus

DRAM

-256	256 MB DRAM
-512	512 MB DRAM

Internal Hard Drive

Blank	Internal 3.5" 20 GB minimum EIDE hard drive
-ND	No internal hard drive ^a
-DHD	Dual 2.5" 10 GB minimum hard drives

Rotating Media Devices

-F	Rear Access Floppy
-CDF	Rear Access Floppy and CD-ROM
-CDWF	Rear Access Floppy and Read/Write CD-ROM

Externally Accessible IDE^b

blank	Nothing Installed
-CF	Externally Accessible Type I/II CompactFlash site
-128CF	Externally Accessible Type I/II CompactFlash site w/128 MB
-256CF	Externally Accessible Type I/II CompactFlash site w/256 MB
-512CF	Externally Accessible Type I/II CompactFlash site w/512 MB
-XBAY	Connector for use with 9000-XBAY or 9000-XBAY-FP

Operating System

Blank	MS-DOS
-98	Windows 98 ^c
-NT	Windows NT ^c
-2K	Windows 2000 (multi-language) ^c
-XP	Pre-activated Windows XP ^c

^a 128CF, 256CF, or 512CF (with DOS) option must be chosen when selecting the -ND option.

^b Externally accessible options are not available when choosing -DHD option.

^c Windows operating systems are only available when Internal Hard Drive or -DHD options are chosen.



Xycom Automation, Inc.
 750 North Maple Rd.
 Saline, MI 48176-1292
 Phone: 734-429-4971
 Fax: 734-429-1010
<http://www.xycom.com>



© 2003 Xycom Automation, Inc. Is a wholly owned subsidiary of Pro-face America, Inc. Specifications may change without notice. Xycom Automation is a trademark of Xycom Automation. Other brand or product names are the property of their respective owners.