

## APL3000B Industrial “Node” PC



**Available with WinGP**

Node Personal Computer

### APL3000B

Models:

- APL3000-BA-CD2G-2P-1G-XM60-M,
- APL3000-BD-CD2G-2P-1G-XM60-M,
- APL3000-BD-CD2G-2P-1G-XM60-M-R,
- APL3000-BA-CD2G-2P-1G-XM60-M-R,
- APL3000-BA-CD2G-2P-1G-XM60-M-WG,
- APL3000-BA-CD2G-2P-2G-XM60-M, APL3000-BA-CD2G-4P-2G-XM60-M,
- APL3000-BA-CD2G-4P-2G-XPC08-M, APL3000-BA-CD2G-4P-2G-XPC08-M-WG,
- APL3000-BA-CM18-2P-1G-XM60-M, APL3000-BA-CM18-2P-1G-XM60-M-R,
- APL3000-BA-CM18-2P-1G-XM60-M-WG, APL3000-BA-CM18-4P-1G-XM60-M,
- APL3000-BA-CM18-4P-1G-XPC08-M, APL3000-BA-CM18-4P-1G-XPC08-M-WG

CPU: Intel® Celeron® M 1.86GHz or Intel® Core™ Duo 2.0GHz



DC 24V  
AC100/240V



### Features:

- Industrial “node” PC
- Intel® Core™ Duo 2.0GHz or Intel® Celeron® M 1.86GHz CPU
- Bootable CompactFlash® socket
- DVD-RW standard
- Reliability, Availability, Serviceability (RAS) Remote Health Monitor
- Data protection – RAID1 hard disk option
- RoHS directive-conforming

### Open HMI WinGP Option

- Use PC as on-demand touch-screen HMI
- Allows third-party applications to run concurrently
  - SPC, vision, SCADA, MRP
- Expands PC hardware and data connectivity options

### Performance Specifications

	Performance	Standard
Base Model	APL3000-BA-CD2G APL3000-BD-CD2G	APL3000-BA-CM18
CPU	Intel® Core™ Duo 2.0GHz	Intel® Celeron® M 1.8GHz
Supported OS	Windows® XP	Windows® XP
Standard Memory	1.0 Gigabytes/2.0 Gigabytes	1.0 Gigabytes
Maximum Memory	4GB (DIMM socket x 2)	
Graphics Display Resolution	VGA (640 x 480 pixels) to UXGA (1600 x 1200 pixels)	
Video Memory	Max 64MB (UMA type)	
Serial (RS-232C)	COM1: RS-232C, D-sub 9 pin (plug) (RI/+5V switchable, RS-422/RS-485 switchable) *1 COM2: RS-232C, D-sub 9 pin (plug) (RI/+5V switchable) COM3: RS-232C, D-sub 9 pin (plug) COM4: RS-232C, D-sub 9 pin (plug)	
LAN	2 ports. RJ-45 type modular jack connector (8 pins). LAN1: auto change to 10BASE-T/100BASE-TX/1000BASE-T LAN2: auto change to 10BASE-T/100BASE-TX	
USB	USB 2.0 compatible 4 ports. Disable/enable selectable.	
Sound	Speaker out (3.5mm mini-pin jack connector)	
RAS (Remote Health Monitor)	RAS connector 9-pin (socket)	
Disk	60 GB hard drive. SATA interface. IDE interface: Master: CF card I/F. Slave: DVD-RW 1 slot (option)	
PCI	PCI x 2 or PCI x 4; first 2 slots are: 174.63 [6.88 in.] x 106.68 [4.20 in.] mm; Slots 3 and 4 are: 250 [9.84 in.] x 106.68 [4.20 in.] mm	

\*1 The sent data is echoed back. Transmission Enable is controlled with DTR.

### General Specifications

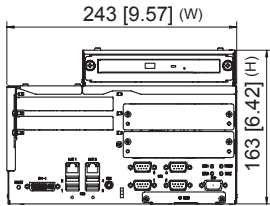
Input Voltage	AC100 / 240V (Rated voltage AC85 to 264V; 50/60Hz)	DC24V (Rated voltage DC19.2 to 28.8V)
Power Consumption	2-slot: 120VA or less 4-slot: 145VA or less	2-slot: 120W or less 4-slot: 145W or less
Allowable Voltage Drop	1 cycle or less (Voltage drop interval must be 1s or more.)	5ms or less
Voltage Endurance	AC1500V 20mA for 1 minute (between charging and FG terminals)	AC1000V 20mA for 1 minute (between charging and FG terminals)
Insulation Resistance	DC500V 10MΩ(min.) (between charging and FG terminals)	
Certifications	UL 508; CSA-C22.2 No. 142-M1987; CE Marking EN61000-6-2, EN55011 Class A, EN60950-1 (Only AC model)	
Temperature	0 to 50°C (32 to 122°F) without HDD; 5 to 50°C (41 to 122°F) with HDD; Storage Temperature: -20 to +60°C (-4 to 140°F)	
Humidity - Ambient/Storage	10 to 90% RH (Not condensing, wet bulb temperature: 39°C (122°F) or less; with HDD: 29°C (84.2°F) or less).	
Corrosive Gas	Free of corrosive gases	
Noise Immunity	Noise Voltage: 1500Vp-p, Pulse Duration: 50ns, 500ns, 1 μs Rise Time: 1ns	Noise Voltage: 1000Vp-p, Pulse Duration: 1μs Rise Time: 1ns (via noise simulator)
Cooling Method	Forced air cooling by system fan and CPU fan	
Electrostatic Discharge Immunity	6kV (complies with EN 61000-4-2 Level 3)	
Vibration Resistance	IEC61131-2 compliant, With HDD: 10 to 57Hz half-amplitude 0.075mm, 57 to 150Hz constant-accelerated velocity 9.8m/s <sup>2</sup> . X, Y, Z directions for 10 cycle (100 minute) Without HDD: 5 to 9Hz half-amplitude 3.5mm, 9 to 150Hz constant-accelerated velocity 9.8m/s <sup>2</sup> . X, Y, Z directions for 10 cycle (100 minute)	
Shock during operation	147m/Sec, 11msec (Approx. 15G), 3 shocks to 3 direction/ axis, in accordance with EN/IEC 60068-2-27	
Weight With DVD-RW	2-slot: 7.45kg [16.4lb] max. 4-slot: 8.95kg [19.7lb] max.	
External Dimensions With DVD-RW	2-slot: W243mm [9.57in.] x H163mm [6.42in.] x D277mm [10.91in.] 4-slot: W243mm [9.57in.] x H214mm [8.42in.] x D277mm [10.91in.]	
Warranty	Two-year standard (Maximum 4 years)	

## APL3000B - External Dimensions

Dimensions shown with installation fasteners attached

### APL3000B (2-slot)

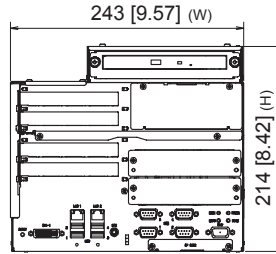
Unit: mm [in]



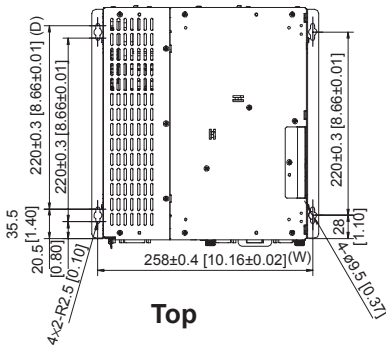
Front

### APL3000B (4-slot)

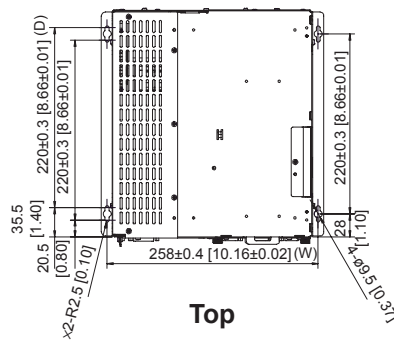
Unit: mm [in]



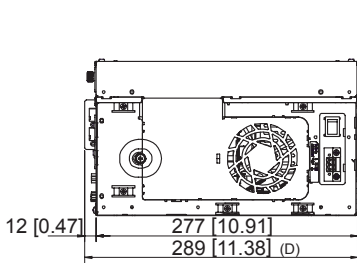
Front



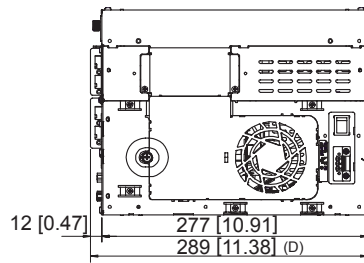
Top



Top



Side

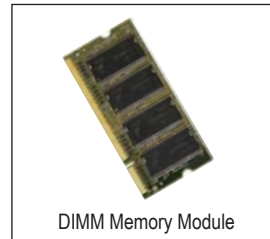
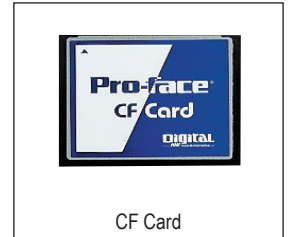


Side

## Optional Items

Product Name		Part Number
DIMM Memory Module	512 MB	CA7-DDR2-512MB
	1 GB	CA7-DDR2-1GB
	2 GB	CA7-DDR2-2GB
HDD Unit *1	60 GB	APL3000-HD60
CF Card*1	512MB	CA3-CFCALL/512MB-01
	1GB	CA6-CFCALL/1GB-01
	2GB	CA8-CFCALL/2GB-01
	8GB	144766
RAID Kit		RAID-KIT-01
USB Front Cable	1m	CA5-USBEXT-01
USB Cable	5m	FP-US00
RS-232C Cable	5m	FP61V-IS00-0
DVI-D Cable	5m	FP-DV01-50
Analog RGB Cable *2	4.5m	FP-CV02-45
RGB Converter Cable	5m	CA7-CBLCVRGB-01
DVI-D/RGB Branch Cable	15cm	CA7-CBLCVDVI-D/RGB-01
External Floppy		9000-USBF

\*1 Not installed with operating system. \*2 When using the DVI-D/RGB branch cable.



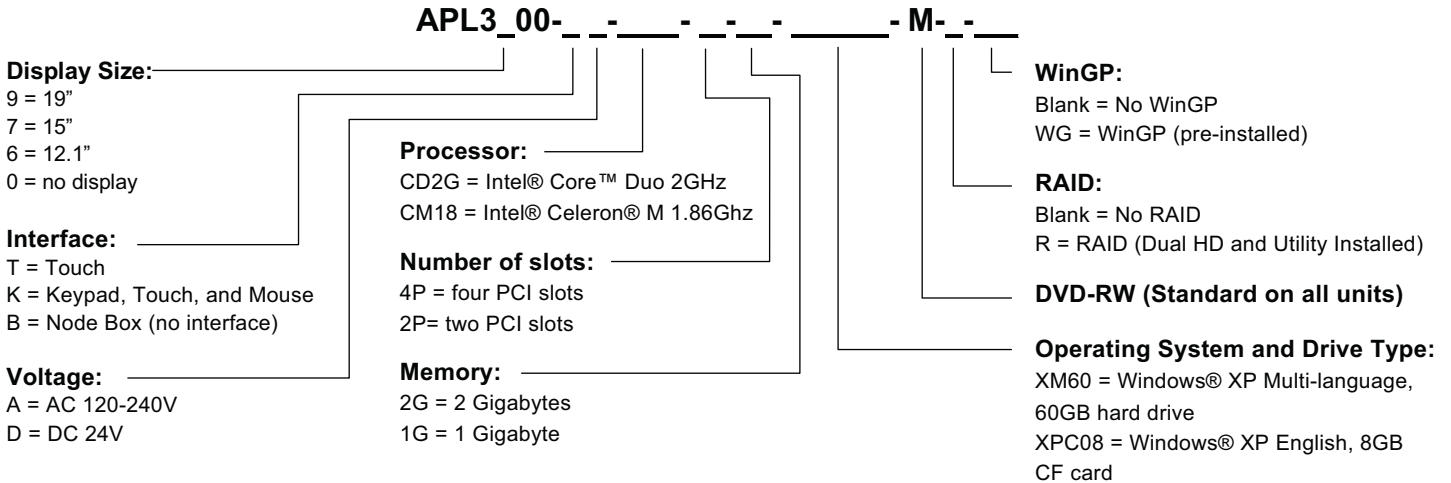
**Caution:** Before operating any of these products, please be sure to read all related manuals thoroughly.

- All product names used in this document are trademarks or registered trademarks of their respective companies.
- All information contained in this document is subject to change without notice.

APL3000B Ordering Information		
	Order Number	Description
<b>Performance</b>	APL3000-BA-CD2G-2P-1G-XM60-M	Node PC, 2.0GHz Core Duo, 2 PCI, 1GB DRAM, Windows XP, DVD-RW, AC
	APL3000-BD-CD2G-2P-1G-XM60-M	Node PC, 2.0GHz Core Duo, 2 PCI, 1GB DRAM, Windows XP, DVD- RW, 24V DC
	APL3000-BD-CD2G-2P-1G-XM60-M-R	Node PC, 2.0GHz Core Duo, 2 PCI, 1GB DRAM, Windows XP, DVD- RW, 24V DC, RAID
	APL3000-BA-CD2G-2P-1G-XM60-M-R	Node PC, 2.0GHz Core Duo, 2 PCI, 1GB DRAM, Windows XP, DVD-RW, AC, RAID
	APL3000-BA-CD2G-2P-1G-XM60-M-WG	Node PC, 2.0GHz Core Duo, 2 PCI, 1GB DRAM, Windows XP, DVD-RW, AC, WinGP
	APL3000-BA-CD2G-2P-2G-XM60-M	Node PC, 2.0GHz Core Duo, 2 PCI, 2GB DRAM, Windows XP, DVD-RW, AC
	APL3000-BA-CD2G-4P-2G-XM60-M	Node PC, 2.0GHz Core Duo, 4 PCI, 2GB DRAM, Windows XP, DVD- RW, AC
	APL3000-BA-CD2G-4P-2G-XPC08-M	Node PC, 2.0GHz Core Duo, 4 PCI, 2GB DRAM, Windows XP (English only) on 8 GB CF, DVD- RW, AC
	APL3000-BA-CD2G-4P-2G-XPC08-M-WG	Node PC, 2.0GHz Core Duo, 4 PCI, 2GB DRAM, Windows XP (English only) on 8 GB CF, DVD- RW, AC, WinGP
<b>Standard</b>	APL3000-BA-CM18-2P-1G-XM60-M	Node PC, 1.86GHz Celeron M, 2 PCI, 1GB DRAM, Windows XP, DVD- RW, AC
	APL3000-BA-CM18-2P-1G-XM60-M-R	Node PC, 1.86GHz Celeron M, 2 PCI, 1GB DRAM, Windows XP, DVD- RW, AC, RAID
	APL3000-BA-CM18-2P-1G-XM60-M-WG	Node PC, 1.86GHz Celeron M, 2 PCI, 1GB DRAM, Windows XP, DVD- RW, AC, WinGP
	APL3000-BA-CM18-4P-1G-XM60-M	Node PC, 1.86GHz Celeron M, 4 PCI, 1GB DRAM, Windows XP, DVD- RW, AC
	APL3000-BA-CM18-4P-1G-XPC08-M	Node PC, 1.86GHz Celeron M, 4 PCI, 1GB DRAM, Windows XP (English only) on 8 GB CF, DVD- RW, AC
	APL3000-BA-CM18-4P-1G-XPC08-M-WG	Node PC, 1.86GHz Celeron M, 4 PCI, 1GB DRAM, Windows XP (English only) on 8 GB CF, DVD- RW, AC, WinGP

\* For Floppy options, please purchased External USB Floppy "9000-USBF" listed on PC&FP price list

## Part Number Breakout



Note: Not all possible combinations are available

**Pro-face America**  
 Phone: 734.429.4971  
 Fax: 734.429.1010  
 www.profaceamerica.com

**Customer Service Hotline: 734.944.0482**

For more information  
**ACCESS** [www.profaceamerica.com](http://www.profaceamerica.com)

