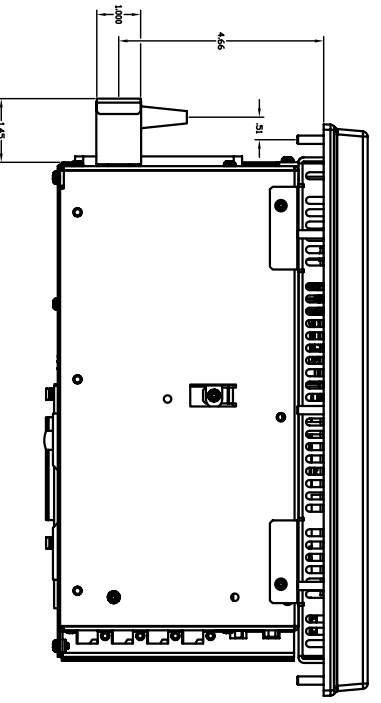
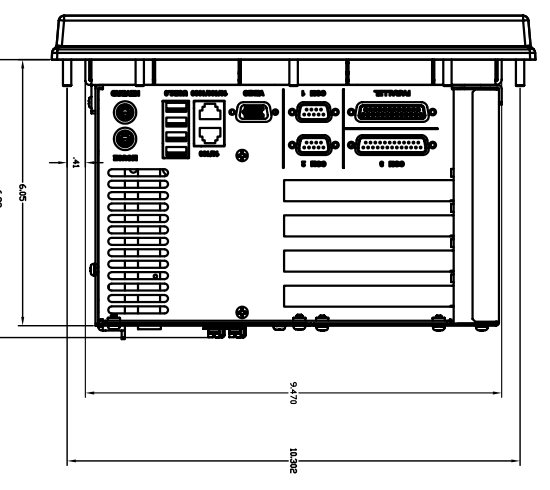
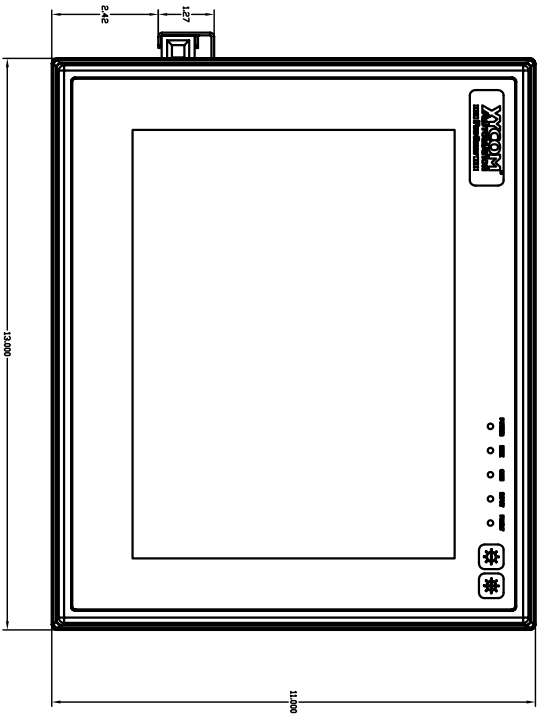
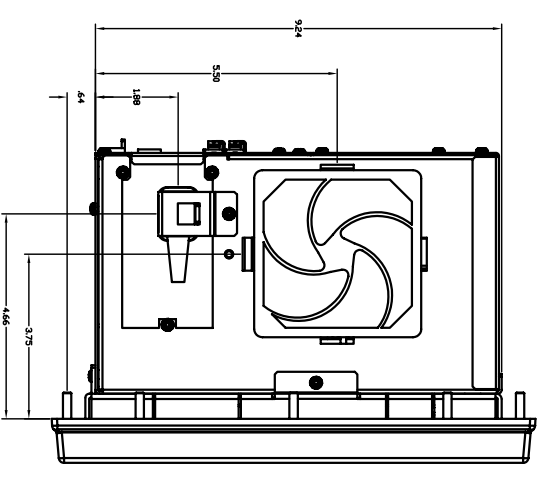
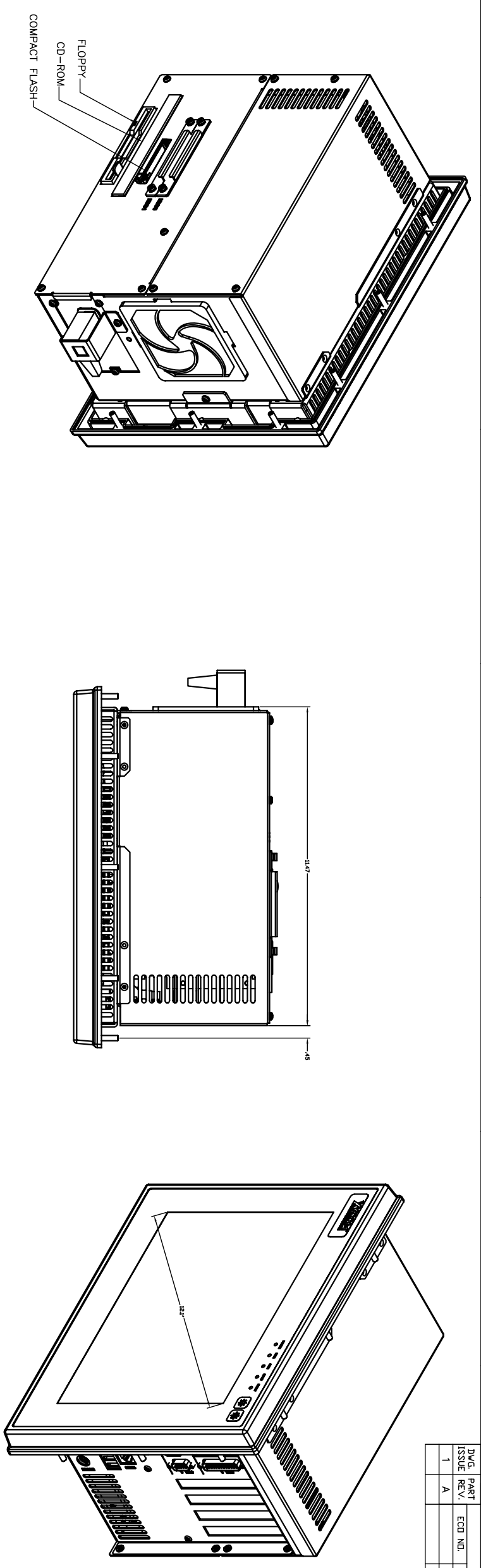


REV. PART		REVISION BLOCK		DIR	DATE	CK	DATE
ISSUE	REV.	ECO NO.	DESCRIPTION	E.R.	1/24/03		
1	A						



FOR REFERENCE ONLY

INTERNAL REV. 001	SPEC.	SCH.	FIRST USED EN MODEL	ASSOCIATED DRAWINGS	TOLERANCES UNLESS OTHERWISE SPECIFIED ARE: DIMENSIONS ARE: X.XX PLACE 0.02 X.XX PLACE 0.05 HOLE DIA. 0.005	TITLE MYGOM AUTOMATION 750 N. MAPLE RD. SALINE, MI 48176	SCALE FULL 1"=1"	FIG. NO. 4612T	144617
DR. EROTTMAN	ME	EE	02/04	WFS	SIGNATURES	REVISION A			

