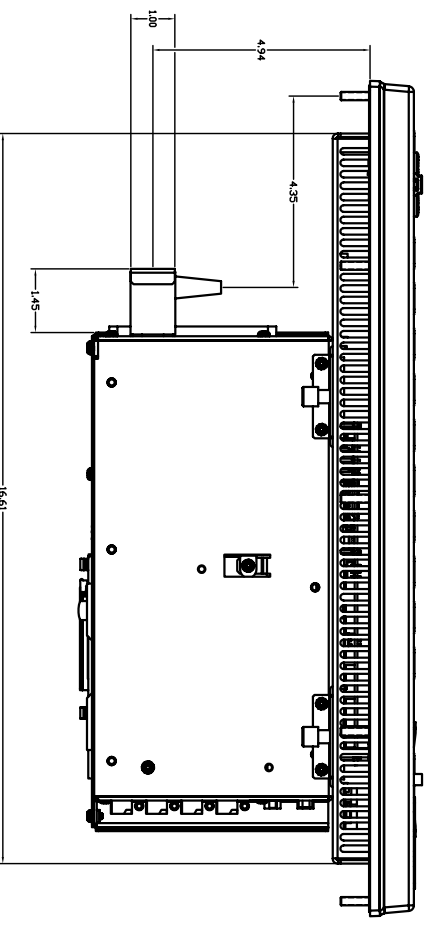
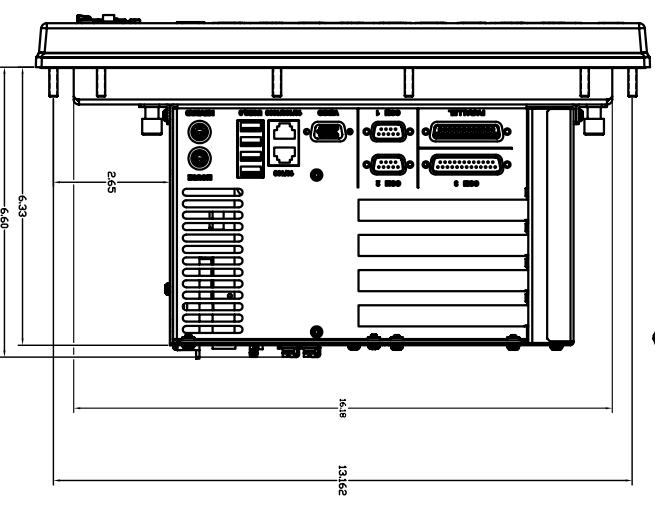
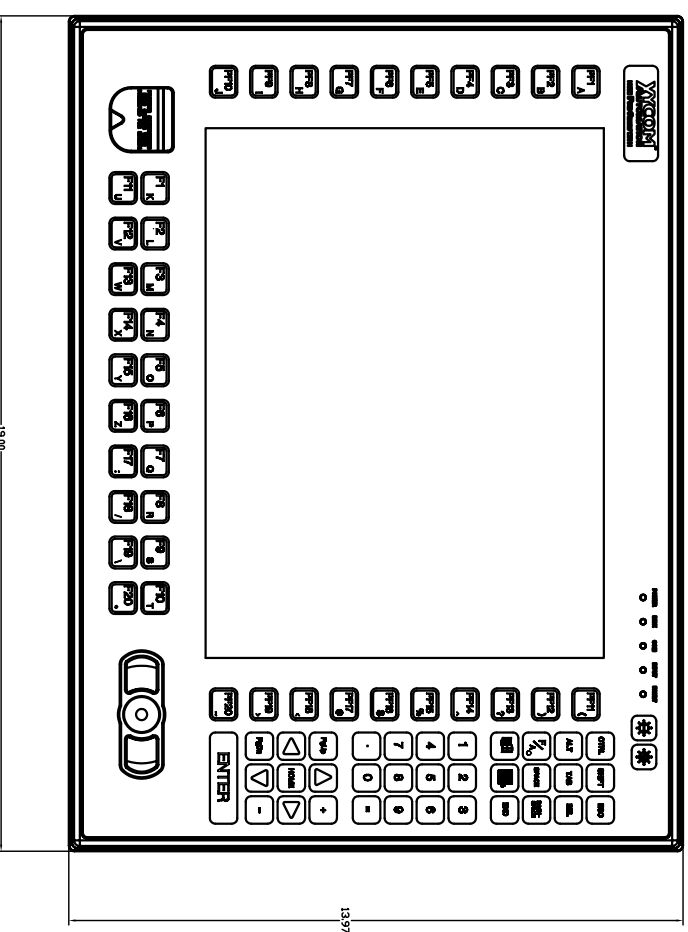
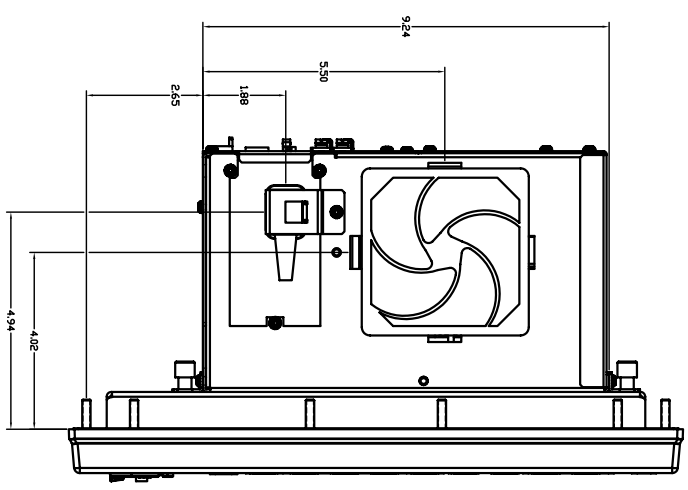
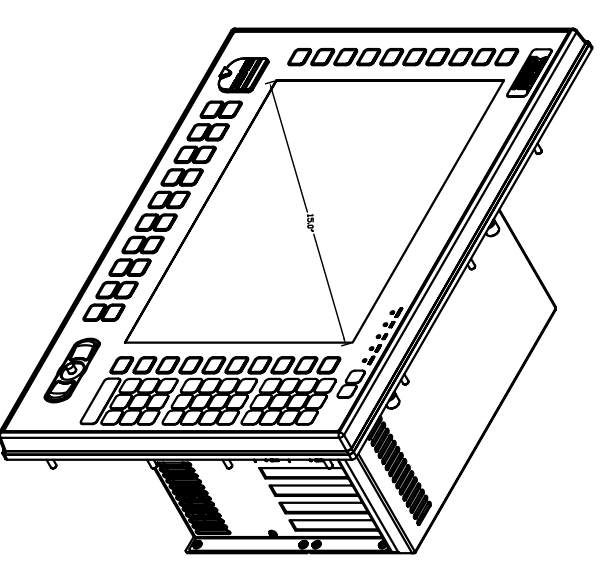
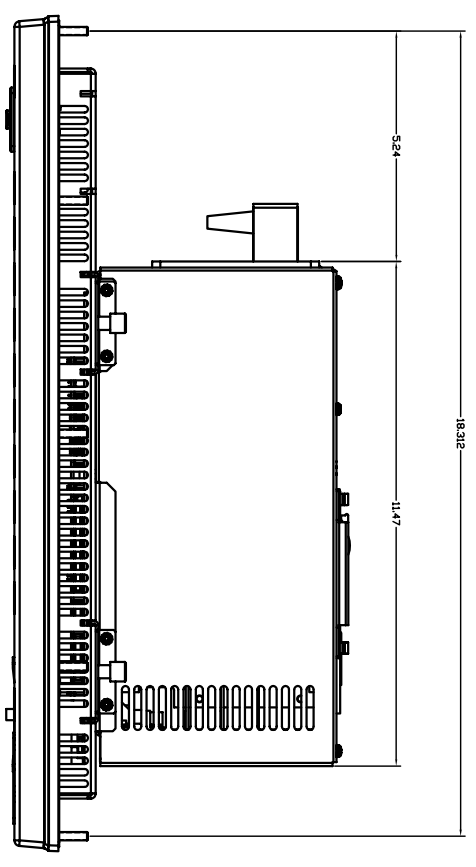
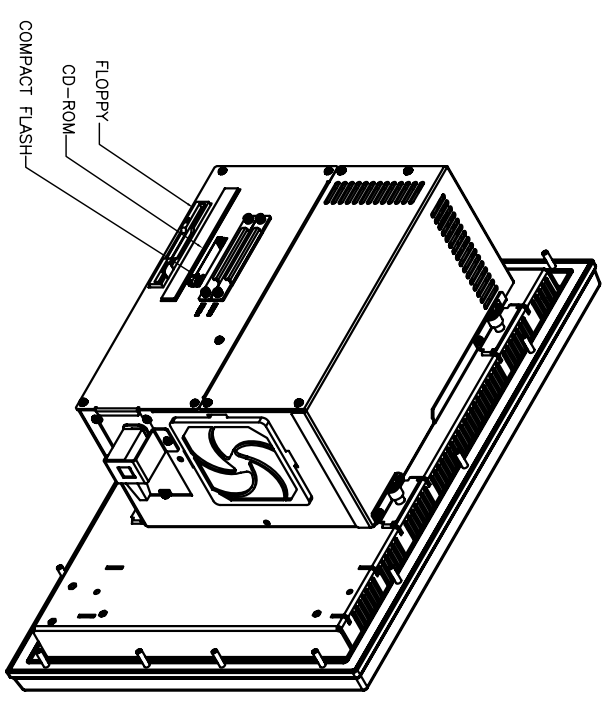


REV. PART		REVISION BLOCK		DIR.	DATE	CK.	DATE
ISSUE	REV.	ECD. NO.	DESCRIPTION	E.R.	1/24/93		
1	A						



FOR REFERENCE ONLY

INTERNAL	SPEC.	SCH.	FIRST USED	EN MODEL	ASSOCIATED DRAWINGS	TOLERANCES	UNLESS OTHERWISE SPECIFIED	DATE	SCALE	FIG. NO.
DR. EROTTMAN										
ME. EROTTMAN										
EE.										
027/0A										
WFC										
SIGNATURES										
REVISION A										
MYGOM AUTOMATION 750 N. MAPLE RD. SALINE, MI. 48176 4615KPM(T) GENERAL LAYOUT SCALE: FULL FIG. NO: 144634										

